



Deep Bass
Subissimo

Owner's Manual



Contents

IMPORTANT SAFETY INSTRUCTIONS	Page 3
CCDB Subissimo	Page 4
Unpacking	Page 5
Included in the CCDB Subissimo packaging	Page 6
CCDB Subissimo Back Panel Legend	Page 7
Installation	Page 8
Positioning the CCDB Subissimo in the listening room	Page 9
Adjusting the four adjustable feet	Page 9
Tuning your CCDB Subissimo	Page 9
Breaking-in and taking care of your loudspeakers	Page 9
Cleaning your loudspeaker	Page 9
Warranty information	Page 10
Technical specifications	Page 10

IMPORTANT SAFETY INSTRUCTIONS

Crystal Cable® products are designed and manufactured to meet the highest quality and safety standards. However, you should be aware of the following installation and operation precautions:

Read the instructions

You should read all the safety and operating instructions before operating the Crystal Cable® Deep Bass Subissimo (from here on in the manual referred to as CCDB Subissimo).

Retain this manual for future reference and adhere to all warnings in the manual and on the amplifiers.

Foreign objects and water

Take care that objects do not fall and liquids are not spilled on or into the unit. Liquid-filled objects such as bottles and vases should not be placed on the unit.

Do not operate the Crystal Cable® products in the presence or near water.

Environment

Do not place the unit on soft surfaces like a bed, rug or similar surfaces or in an enclosed cabinet, since ventilation may be impeded. Do not locate the unit near naked flames or heat-producing appliances.

The CCDB Subissimo has been designed for use in moderate climates and in domestic situations. Unplug the unit during lightning storms to prevent possible damage from a strike or mains surge.

Moving and placing the equipment

The CCDB Subissimo is a weighty product with a total weight of 72Kg / 159 lbs.

Always move and install the unit with two persons.

Power supply

Only connect the CCDB Subissimo to a power supply of the type described in the operating instructions or as marked on the equipment. The primary method of isolating the equipment from the mains supply is to remove the mains plug.

The unit must be installed in a manner that makes disconnection possible. Only use a grounded mains outlet to connect the unit. Power supply cords should be routed so that they are not likely to be walked on or pinched by items placed upon or against them. Pay particular attention to the point where they exit from the equipment. If the unit is not being used for an extended period of time, we recommend that you unplug the power.

Smoke or abnormal smell

If smoke or an abnormal smell is detected from the unit, turn the power off immediately and unplug the equipment from the wall outlet and contact your dealer.

Dear valued customer,

Crystal Cable® would like to thank you for selecting our Crystal Cable® Deep Bass Subissimo. In a world where subwoofers are big and invariably ugly, the CCDB Subissimo is an unobtrusively elegant and adaptable solution to the challenge of reproducing full-range music in the home.

Subissimo is a unique ultra-performance, low-bass system that is, in Crystal Cable® tradition, typically innovative. Unlike other heavily equalized subwoofer systems that try to bend the laws of physics, attempting to squeeze ever more bass out of smaller and smaller boxes (and ending up with a bottom-end that simply sounds forced, detached, processed and unnatural) the Subissimo accepts that naturally communicative bass needs volume to work and breathe, so its system innovative topology and high-tech sandwich construction cabinet concentrates on visual elegance rather than attempting invisibility. All filtering is done in the analogue domain without any digital signal processing (DSP) to retain a natural and coherent sound.

It took many years of research, development, prototyping and evaluation to create the CCDB Subissimo. We believe that the results of all that effort will deliver superb listening pleasure, bringing you even closer to your favourite music and those you share it with.

This owner's manual is intended to help you optimize the performance of your CCDB Subissimo. The guidelines in this manual have been drawn up with great care so that you can quickly unpack, find the ideal placement for your CCDB Subissimo and begin to enjoy it at its full potential.

The Crystal Cable® team wishes you many years of musical and listening enjoyment.

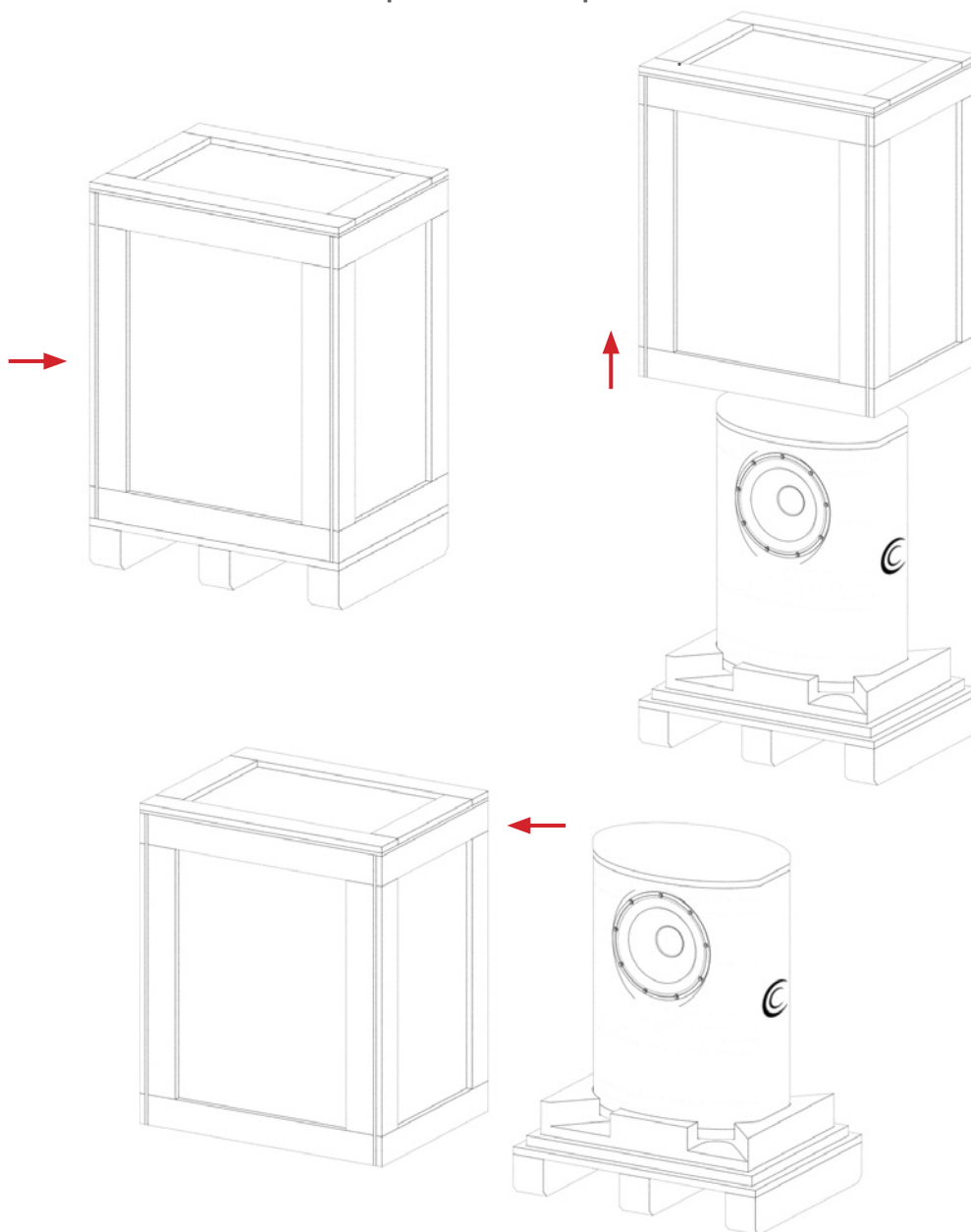


Unpacking

The following instructions avoid personal injuries or damage to the loudspeaker cabinet. Because of the heavy weight of the crate, utmost care is requested. Never lift or carry the crate without using a pallet truck. We recommend experienced professionals to unpack and set up the CCDB Subissimo. A minimum of 2 people are required to unpack and set up the Subissimo.

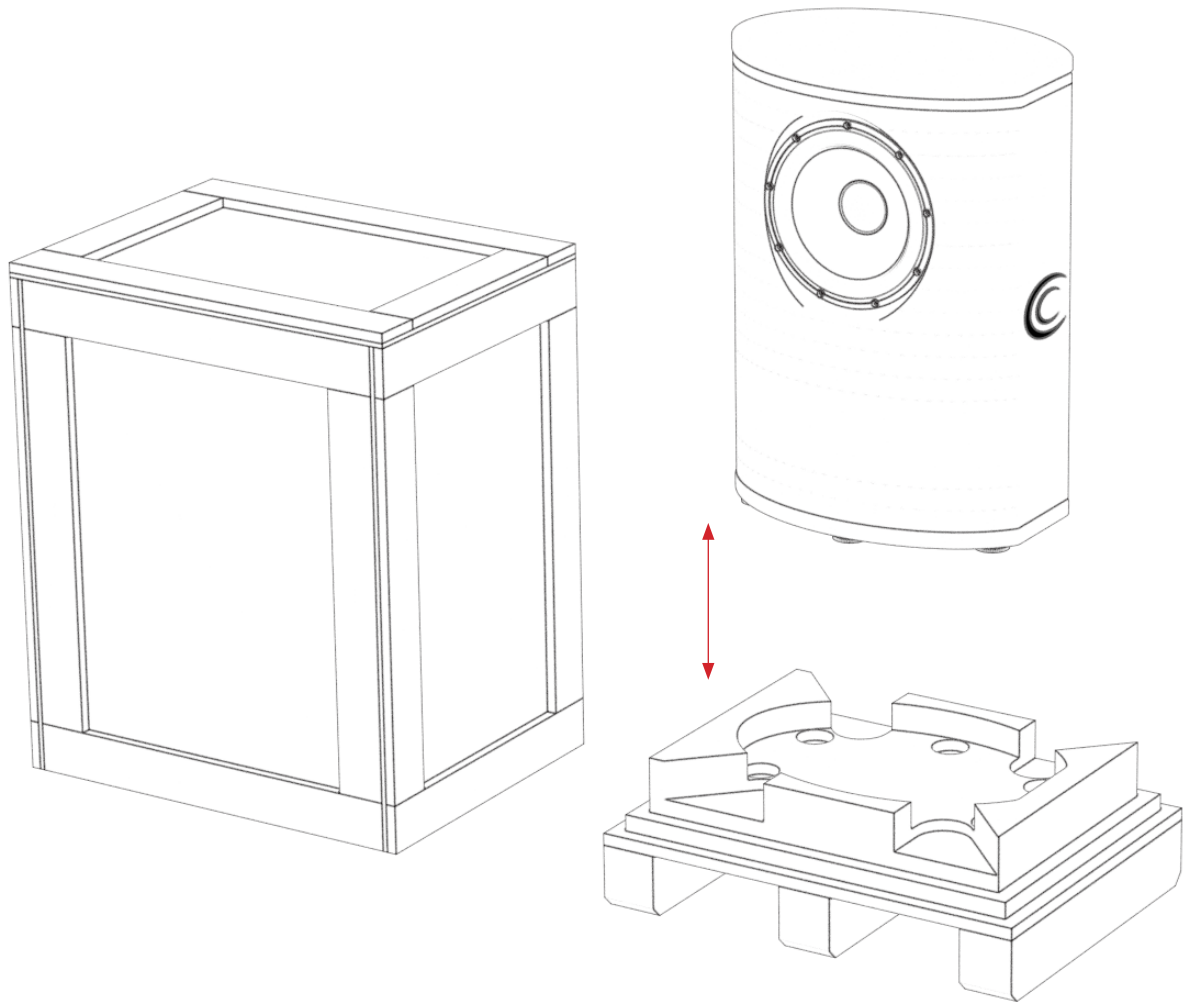
The CCDB Subissimo is delivered in one wooden crate. Open the crate by removing approximately 10 Phillips-head screws marked by the yellow labels.

Lift the top section with 2 persons.



When the top section clears the Subissimo, set it aside.

Lift the CCDB Subissimo from the bottom section of the crate and put it in an upright position on the floor.

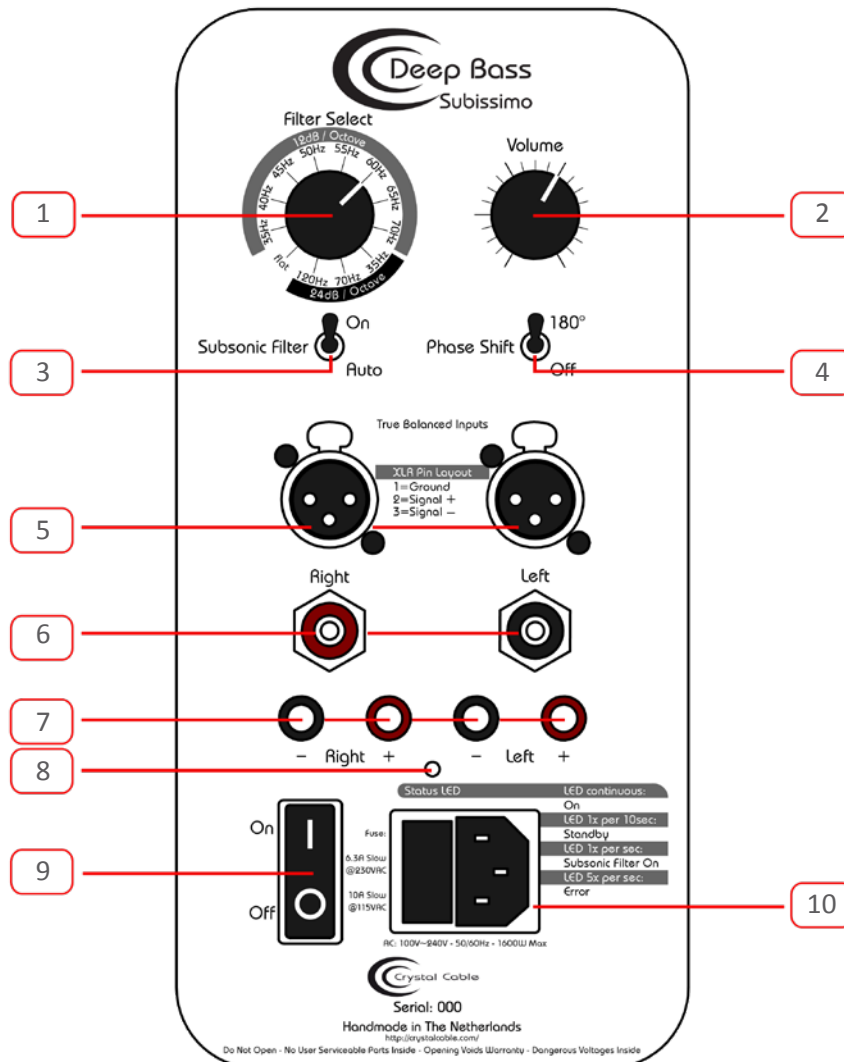


Store the packaging for future shipment of the product.

Included in the CCDB Subissimo packaging:

- Mains lead
- 6 pieces adjustable feet (already fitted to the CCDB Subissimo)

CCDB Subissimo Back Panel Legend



1. Filter Select: Selects the required crossover frequency.
 - From 35Hz to 70Hz @ 12dB/octave in 5Hz steps
 - 35Hz, 70Hz and 120Hz @24dB/octave.
 - Flat
2. Volume: Adjusts the output volume.
3. Subsonic Filter: Sets subsonic filter to On or Auto
4. Phase Shift: Sets phase to 0 or 180 degrees.
5. XLR inputs: Use to connect balanced line level signal from preamp or processor.
6. RCA inputs: Use to connect single ended line level signal from preamp or processor.
7. High level inputs: Use to connect the unit to amplifier speaker terminals.
8. Status LED: Indicates status of the unit.
9. On/Off switch: Use to turn unit on or off.
10. IEC Mains Socket: Fused mains input socket that accepts detachable power cord.

Installation

The CCDB Subissimo has been designed to work with a wide range of loudspeakers. It facilitates both sealed and bass reflex loudspeakers.

Instead of a variable controllable cut-off frequency it utilises a precision stepped rotary switch for selection. The switch sets the cut-off frequency in 5Hz steps from 35 to 70Hz with a 12dB per octave slope and 35, 70 and 120Hz at a 24dB slope. The pure Dolby® Labs .1 protocol is observed by the 120Hz @ 24dB filter setting.

A first-order 6dB filter at 500Hz is implemented to prevent higher frequencies from reaching the woofers. If the CCDB Subissimo is used with an active crossover the flat filter setting should be used.

The Subissimo will seamlessly blend with your loudspeakers because the output level can be set independently of the selected filter.

When using the CCDB Subissimo with the Crystal Cable® Arabesque™ Minissimo or Arabesque™ Minissimo Diamond loudspeakers please set the cut-off frequency to 70Hz @ 12dB or 24dB/Octave depending on room acoustics.

A selectable subsonic filter protects the woofers against too large excursions below 16Hz.

In the On position it is permanently activated. In the Auto position the filter will only be switched on if necessary. In this setting the filter will switch off again after 10 seconds if the signal level below 16Hz is low enough.

The unit accepts low level signals via XLR and RCA sockets from a preamplifier or processor and high level signals via 4mm banana sockets from a power amplifier. All the inputs are auto summing, i.e. if both left and right channel inputs are used the Subissimo will automatically convert these together to mono. The floating high level inputs can also be used with bridged amplifiers.

The CCDB Subissimo features an auto power up circuit which turns the unit on when a significant signal is detected on the inputs. When powered down, only a standby circuit remains on which draws less than 5 Watts. The On/Off switch on the back panel is to be used only to switch off the unit completely during long periods of non-use.

Please ensure that you respect the following precautions when connecting your Subissimo to your audio system.

1. Make sure that your amplifier or processor and the CCDB Subissimo is switched off while connecting the speaker or interconnect cables.
2. Check all connections for loose ends or faulty contacts before switching the amplifier/processor and CCDB Subissimo back on.

Positioning the CCDB Subissimo in the listening room

Achieving the best performance in any room will depend on achieving the optimum placement of the speakers, matching their output to the room's low frequency and acoustic characteristics. Since listening rooms are shaped and decorated differently, each room remains unique regarding the positioning of your loudspeakers, but the following rules are general guidelines that will help you to achieve immediately effective results with your CCDB Subissimo in your particular listening room.

Fine tuning will then deliver even more performance.

If in doubt, we strongly recommend that you seek the advice of your dealer to ensure that you are hearing all the performance your speakers are capable of.

The optimal position for the CCDB Subissimo is in the front of the room near the left and right loudspeakers. This will give the smoothest response.

If you place the CCDB Subissimo in the corner of your listening room the output is amplified by as much as 9dB.

Also the room modes will then be excited the most which creates peaks in the output.

When placed properly the phase of the CCDB Subissimo can be set.

The phase is correct when the total output of the system is the loudest or fullest. After setting the phase the output level needs to be adjusted to match the output of your main loudspeakers.

When using two CCDB Subissimo's in a stereo configuration it is best to place them symmetric in relation to your main loudspeakers.

Adjusting the four adjustable feet

Once you have finalized the position of your CCDB Subissimo, adjust the levelling feet to provide a stable footing. Use a bubble level placed on top of each cabinet to ensure that it is perfectly vertical and that the six feet are loaded equally.

The levelling feet fitted to the CCDB Subissimo are perfect for a wide range of surfaces.

Tuning your CCDB Subissimo

The CCDB Subissimo is designed to acoustically integrate with as many rooms as possible. Even so, small changes in placement can have a clear impact on their sound. Don't hesitate to contact your authorized Crystal Cable® dealer for assistance with the placement of your Subissimo.

Remember, changes to the tonal balance can be made by moving the CCDB Subissimo closer to or further from the walls.

Breaking-in and taking care of your Subwoofer

All audio components and loudspeakers in particular, will sound better after their internal components have broken-in. All CCDB Subissimo's have been initially run-in at the factory for at least 24 hours before shipping. After installing the unit in your home a break-in period of 100-300 hours is necessary to reach the optimum performance. Playing a CD on repeat at low levels through the Subissimo will accomplish this task more quickly. Once fully run-in, it is worth re-examining and fine-tuning the position of the Subissimo which may benefit from a small adjustment.

Cleaning your Subwoofer

If needed the cabinet can be cleaned using a damp, lint free cloth. The loudspeaker cones are delicate and should never be touched. Consult your authorized retailer for further information if required.

Warranty information

The CCDB Subissimo has a standard warranty of five years from the day of purchase. Crystal Cable® provides a non-transferable five year limited manufacturer's warranty. Damage caused as a result of misuse or use with defective electronics is not covered by this warranty. All warranty claims must be accompanied with a copy of the original purchase invoice. Should warranty service be required, it must be arranged in the country of purchase by an authorized CCDB Subissimo by Crystal Cable® retailer. All performance criteria are strictly controlled during the production procedure, from raw materials to the final assembly. Crystal Cable® measures and inspects all parameters of each speaker throughout each and every step in its production. Always use the original packaging for the shipping of your Subissimo.

Technical specifications

Drivers:	Two 13" long throw paper cone units in a force-cancelling configuration
Amplifiers:	Two 600 Watt power amplifiers, one for each driver.
Lower frequency response in room:	-6dB at 16Hz
Crossover frequencies:	35Hz, 40Hz, 45Hz, 50Hz, 55Hz, 60Hz, 65Hz, 70Hz @ 12dB / Octave 35Hz, 70Hz, 120Hz @ 24dB / Octave
Phase switch:	0 or 180 degrees
Max SPL:	120dB
Input connectors:	Stereo low level RCA an XLR, stereo high level 4 mm banana
Weight:	72 Kg (159 lbs.)
Dimensions	W x H x D 405 x 815 x 580 mm (16" x 32" x 22.8")
Supplied accessories:	Mains lead, 6 adjustable feet